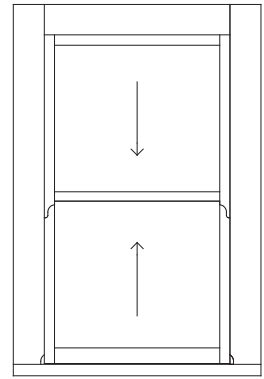


BESPOKE
WOODEN WINDOWS

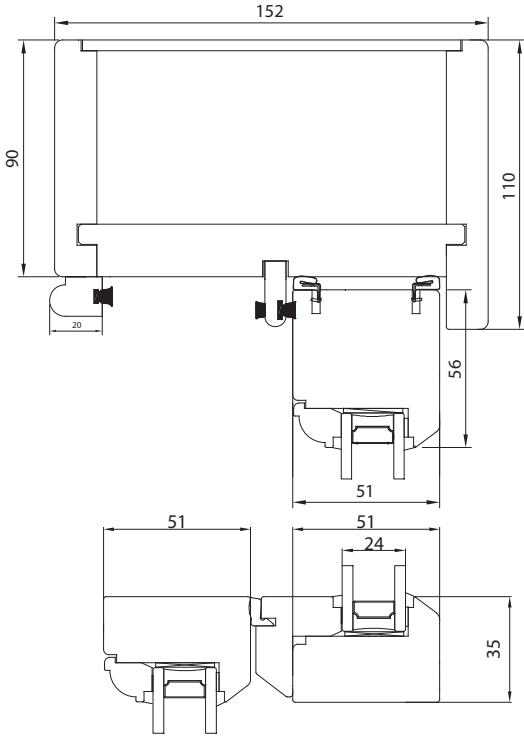
SLIDING SASH ON CORDS
 AND WEIGHTS

09/01/2019

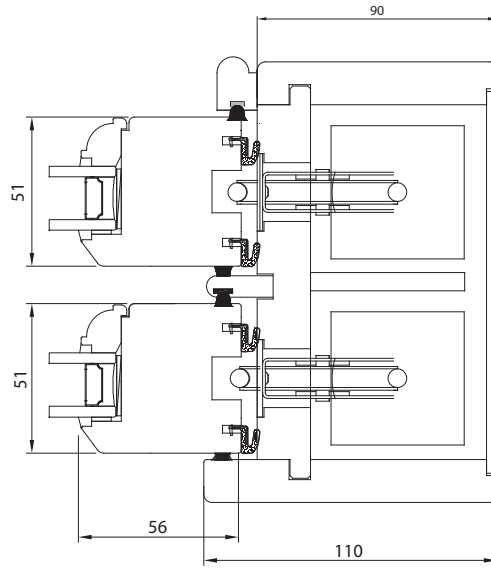
DRAWING: SS110



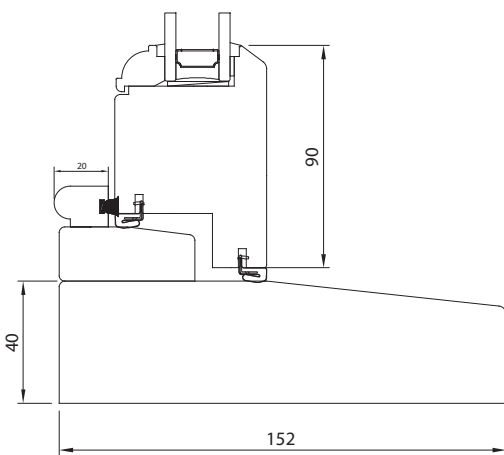
SECTION A



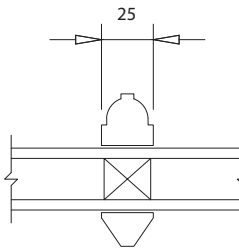
SECTION B



SECTION C



SECTION D



SOLID MULLION

